

Revitalize your kitchen or bar with the modern, sleek design of the Zoria zero-radius ledge sink. Crafted from durable 16-gauge stainless steel, this innovative sink maximizes counter space while adding a contemporary touch. Built for easy maintenance, it's perfect for busy kitchens and comes complete with essential accessories, including a colander, cutting board, grid, and strainer. With its unique ledge feature, this sink serves as a stylish and functional focal point, seamlessly integrating into your culinary space. Embrace a fresh start in your kitchen with the perfect blend of form and function that Zoria brings to every meal.

Features

- Standard 3.5" Drain Hole Size
- PEACEKEEPER™ Sound Absorption System
- Great for outdoor installations too!

Collection

Zoria

Technical Info

- Product Type:** Bar Sink
- Style:** Contemporary
- Corners:** Zero Radius
- Bowl Configuration:** Single Bowl
- Bowl Split:** N/A
- Application:** Kitchen/Bar
- Installation Type:** Undermount
- Drain Position:** Rear
- # of Faucet Holes:** N/A

Material

- 304 Stainless Steel Sink
- 16g

Color/Finish

- Brushed Nickel DSL-1819



Accessories

- Included:**
- Bottom Grid
 - Premium Basket Strainer
 - Colander
 - Cutting Board
 - Paper Cutout Template
 - Mounting Hardware

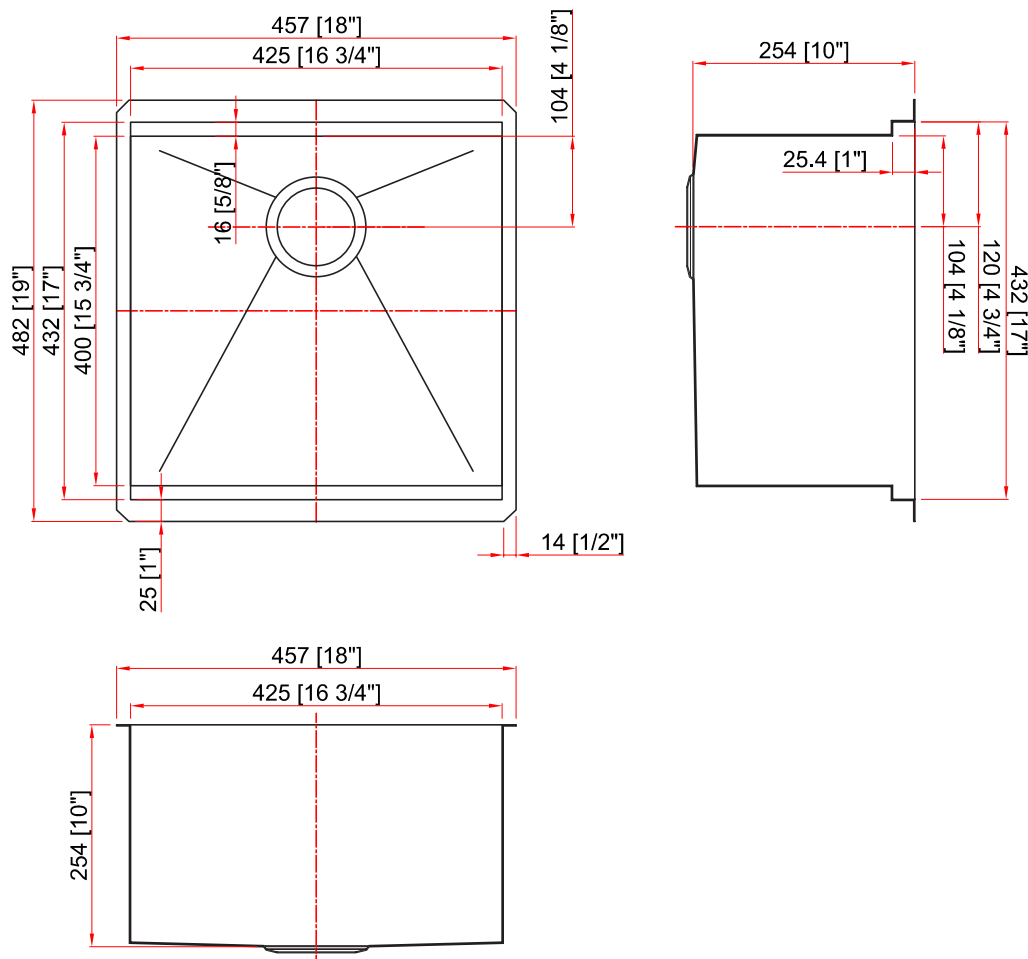
Safety

- Warranty**
- Lifetime Limited Warranty

Have a question? Contact us: help@dakotaplumbingproducts.com



Revitalize your kitchen or bar with the modern, sleek design of the Zoria zero-radius ledge sink. Crafted from durable 16-gauge stainless steel, this innovative sink maximizes counter space while adding a contemporary touch. Built for easy maintenance, it's perfect for busy kitchens and comes complete with essential accessories, including a colander, cutting board, grid, and strainer. With its unique ledge feature, this sink serves as a stylish and functional focal point, seamlessly integrating into your culinary space. Embrace a fresh start in your kitchen with the perfect blend of form and function that Zoria brings to every meal.



Size (product dimensions are nominal):

Fits Cabinet Size: Fits 30 Inch Cabinets

Overall Size: 15" x 19" x 10"

Product Weight: 33 lbs

Bowl Size: Bowl Size: 16.75" x 15.75"

Notes

Allow a minimum of 2" (51 mm) clearance around the sink rim for clip attachment.

Install this product according to the proper installation instructions.

Have a question? Contact us: help@dakotaplumbingproducts.com

