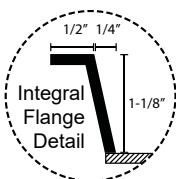
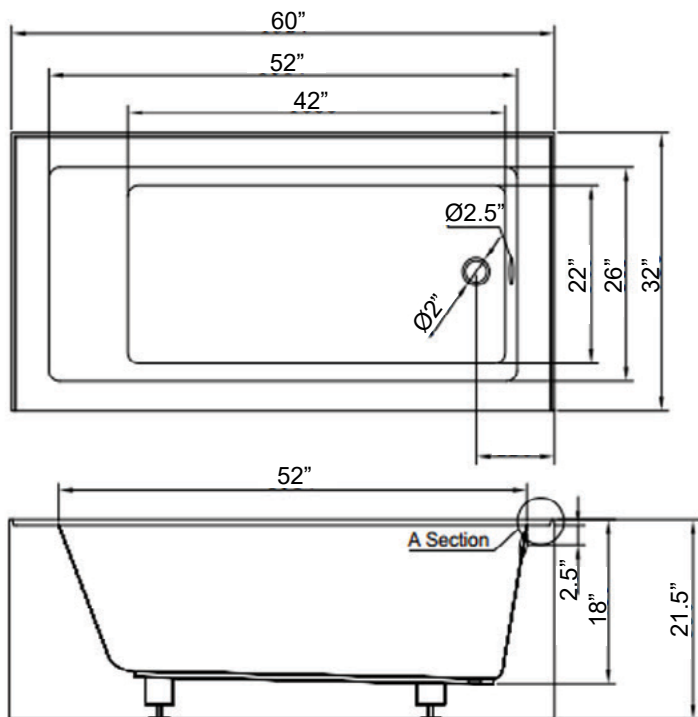




# UST-ALRC02

ALCOVE BATHTUB



### Style:

- Alcove Tub
- Skirted
- Linear Raised Outlet

### Materials:

- Acrylic
- Fiberglass
- Resin

### Size:

- Overall: 60" x 32" x 21.5"

### Features:

- (L)Left and (R)Right Drain Versions Available
- Reinforced integral skirt
- Built-In Tile Flange
- Lumbar Support
- 3" diameter feet, 7/16" O.S.B. and fiberglass for maximum support.
- High gloss acrylic surface for a bright shine.
- Covered with a protective film to maintain finish during installation.
- Easy to clean. Stain resistant.
- Easy to install for both new construction and remodel projects.

### Capacity To Overflow:

- 63 gallons

### Warranty:

- Lifetime Limited Warranty

### Available Color/Finish



### Models Available:

- UST-ALLC02SW
- UST-ALRC02SW

