



**Dakota**<sup>™</sup>  
PLUMBING PRODUCTS  
"Quality for Life"

Kitchen  
**Bath**  
Sinks  
Faucets  
Tubs  
Toilets

*Signature*  
COLLECTION



# DST-WMOCB01-L2W

WALL MOUNTED TUB - 2 WALL STYLE



SHOWN: DST-WMOCB01-L2W

### Style:

- Wall Mounted Tub
- Oval Design
- Goes Against 2 Walls
- Left Side Design



### Materials:

- Acrylic
- Fiberglass
- Resin

### Size:

- Overall: 65" x 29-1/2" x 23"

### Features:

- Lumbar Support
- Ledge on one side for Toiletries
- Drain & Overflow Assembly Included
- Additional Colors Available For Drain & Overflow Covers

### Capacity til Overflow:

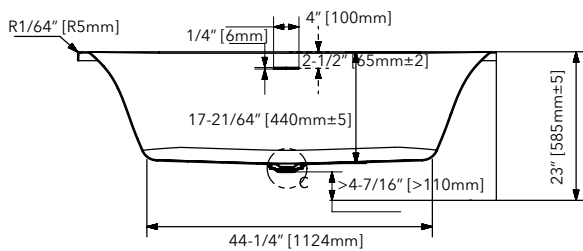
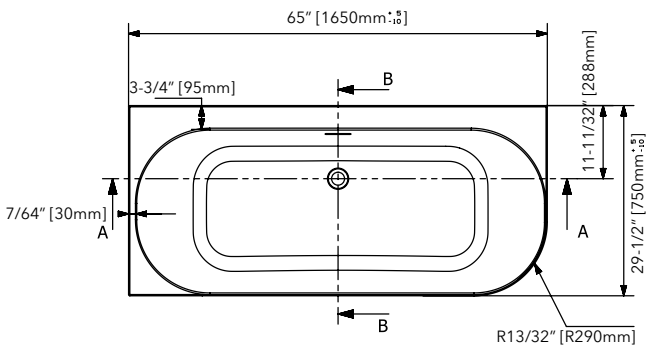
- 67 gallons

### Available Color/Finish

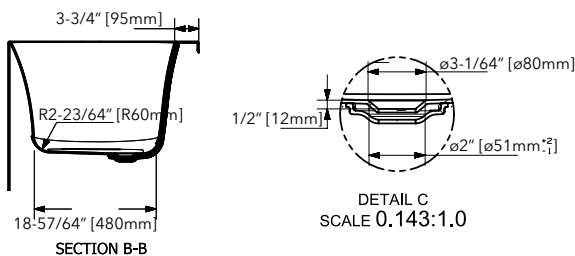
- White

### Warranty:

- Lifetime Limited Warranty



SECTION A-A



DETAIL C  
SCALE 0.143:1.0