



Dakota™
PLUMBING PRODUCTS
"Quality for Life"

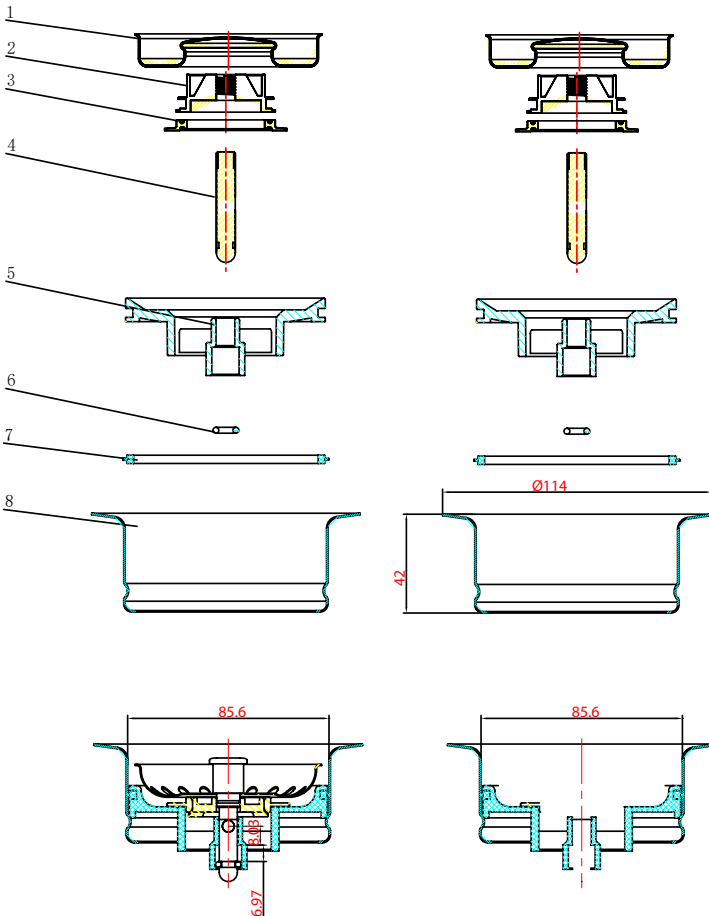
Kitchen
Bath
Sinks
Faucets
Tubs
Toilets

Signature
COLLECTION



DSA-PDF

DISPOSAL FLANGE WITH STRAINER



Info:

Premium 304 Stainless Steel
Garbage Disposal Flange
for use with Dakota™ brand
Garbage Disposals

- STAINLESS STEEL VERSION



Features:

- Basket Stopper
- Simple push/pull function
- Easy basket removal
- Fits standard 3.5" drain openings

Available Color/Finish:

- SS - Brushed Nickel
- SV - Silver
- GBK - Gunmetal Black
- CP - Copper
- GD - Gold



SS
Brushed Nickel
(stainless steel)

SV
Silver

GBK
Gunmetal Black

CP
Copper

GD
Gold

Actual color may vary dependant on lighting.

Applies to Models:

- DSA-PDFSS
- DSA-PDFCP
- DSA-PDFGD
- DSA-PDFGBK
- DSA-PDFSV

Warranty:

- Lifetime Limited Warranty