



Dakota™
PLUMBING PRODUCTS
"Quality for Life"

Kitchen
Bath
Sinks
Faucets
Tubs
Toilets

Signature
COLLECTION

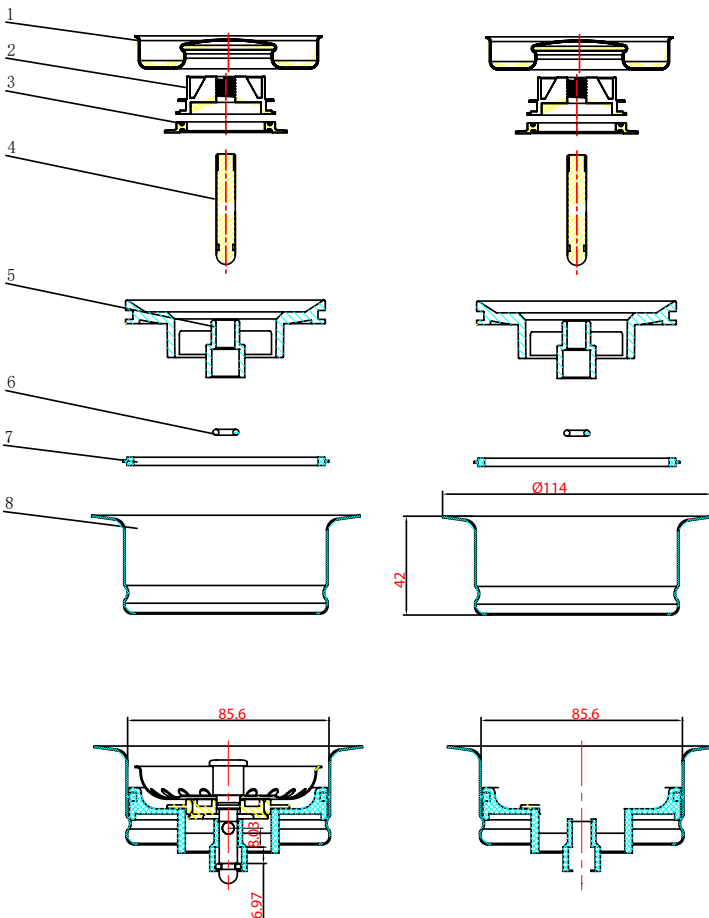


DSA-PDF

DISPOSAL FLANGE WITH STRAINER



*shown: DSA-PBSBE



Info:

Premium Composite
Garbage Disposal Flange
for use with Dakota™ brand
Garbage Disposals
• **COMPOSITE VERSION**

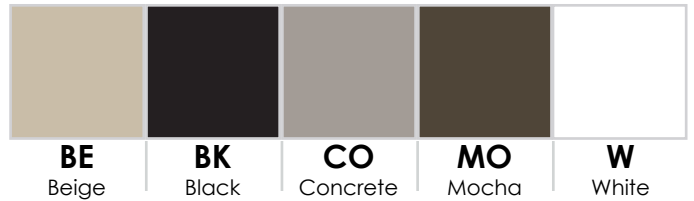


Features:

- Basket Stopper
- Simple push/pull function
- Easy basket removal
- **Fits standard 3.5" drain openings**

Available Color/Finish:

- BE - Beige
- BK - Black
- CO - Concrete
- MO - Mocha
- W - White



Actual color may vary dependant on lighting.

Applies to Models:

- DSA-PDFBE
- DSA-PDFBK
- DSA-PDFCO
- DSA-PDFMO
- DSA-PDFW

Warranty:

- Lifetime Limited Warranty