



**Dakota™**  
PLUMBING PRODUCTS  
"Quality for Life"

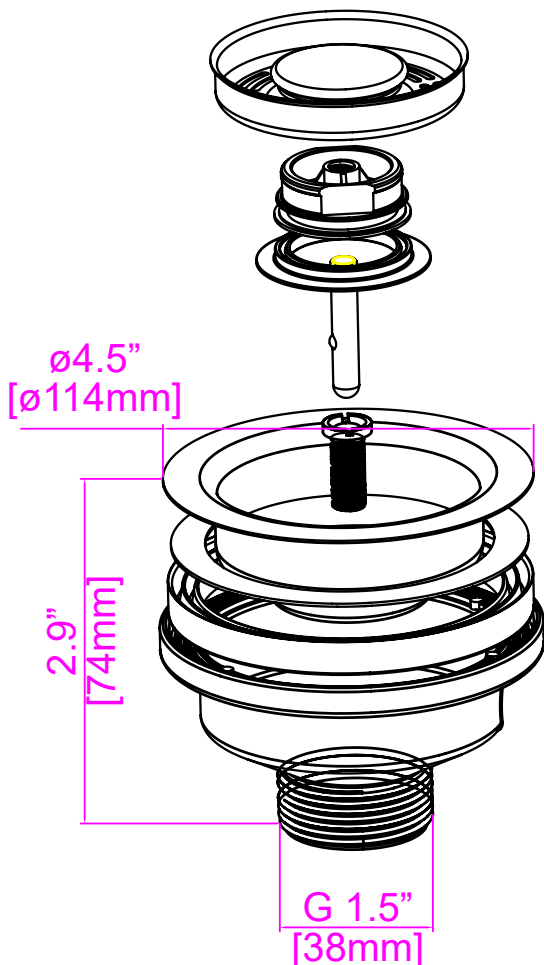
Kitchen  
Bath  
Sinks  
Faucets  
Tubs  
Toilets

*Signature*  
COLLECTION



# DSA-PBS

## PREMIUM BASKET STRAINER



### Style:

- Simple Push/Pull Basket Stopper
- STAINLESS STEEL VERSION

### Description:

- Premium 304 Stainless Steel Basket Strainer

### Features:

- Basket Stopper
- Simple push/pull function
- Easy basket removal
- **Fits standard 3.5" drain openings**

### Available Color/Finish:

- SS - Brushed Nickel
- SV - Silver
- GBK - Gunmetal Black
- CP - Copper
- GD - Gold



SS Brushed Nickel (stainless steel)    SV Silver    GBK Gunmetal Black    CP Copper    GD Gold

*Actual color may vary dependant on lighting.*

### Applies to Models:

- DSA-PBSSS
- DSA-PBSSV
- DSA-PBSGBK
- DSA-PBSCP
- DSA-PBSGD

**⚠** This item may already be included with your Signature Brand Stainless Steel Sink.

### Warranty:

- Lifetime Limited Warranty

### Available Accessories:

- Extension Ferrule..... DSA-BSLS

