



Dakota™
PLUMBING PRODUCTS
"Quality for Life"

Kitchen
Bath
Sinks
Faucets
Tubs
Toilets

Signature
COLLECTION

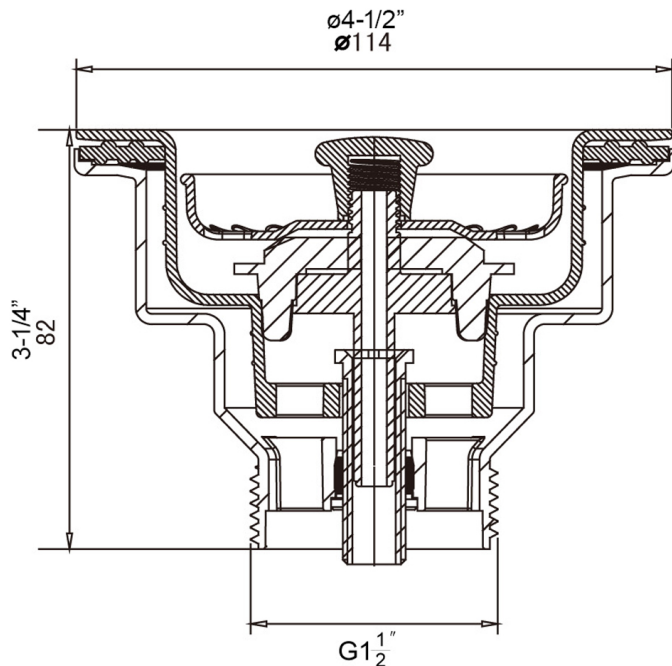


DSA-PBS

PREMIUM BASKET STRAINER



*shown: DSA-PBSBK



Style:

- Simple Push/Pull Basket Stopper
- **COMPOSITE VERSION**

Description:

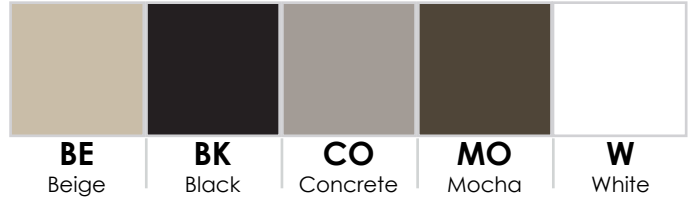
- Premium 304 Stainless Steel Basket Strainer

Features:

- Basket Stopper
- Simple push/pull function
- Easy basket removal
- **Fits standard 3.5" drain openings**

Available Color/Finish:

- BE - Beige
- BK - Black
- CO - Concrete
- MO - Mocha
- W - White



Actual color may vary dependant on lighting.

Applies to Models:

- DSA-PBSBE
- DSA-PBSBK
- DSA-PBSCO
- DSA-PBSMO
- DSA-PBSW

⚠ This item may already be included with your Signature Brand Stainless Steel Sink.

Warranty:

- Lifetime Limited Warranty

